
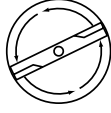


<b>SERVICE</b> 		<b>4</b>
		<b>I0300008</b>

IPL, LT2114 A, 2003-01, 106 29 79-61

J2114AA

# LT2114 A

**Spare parts**

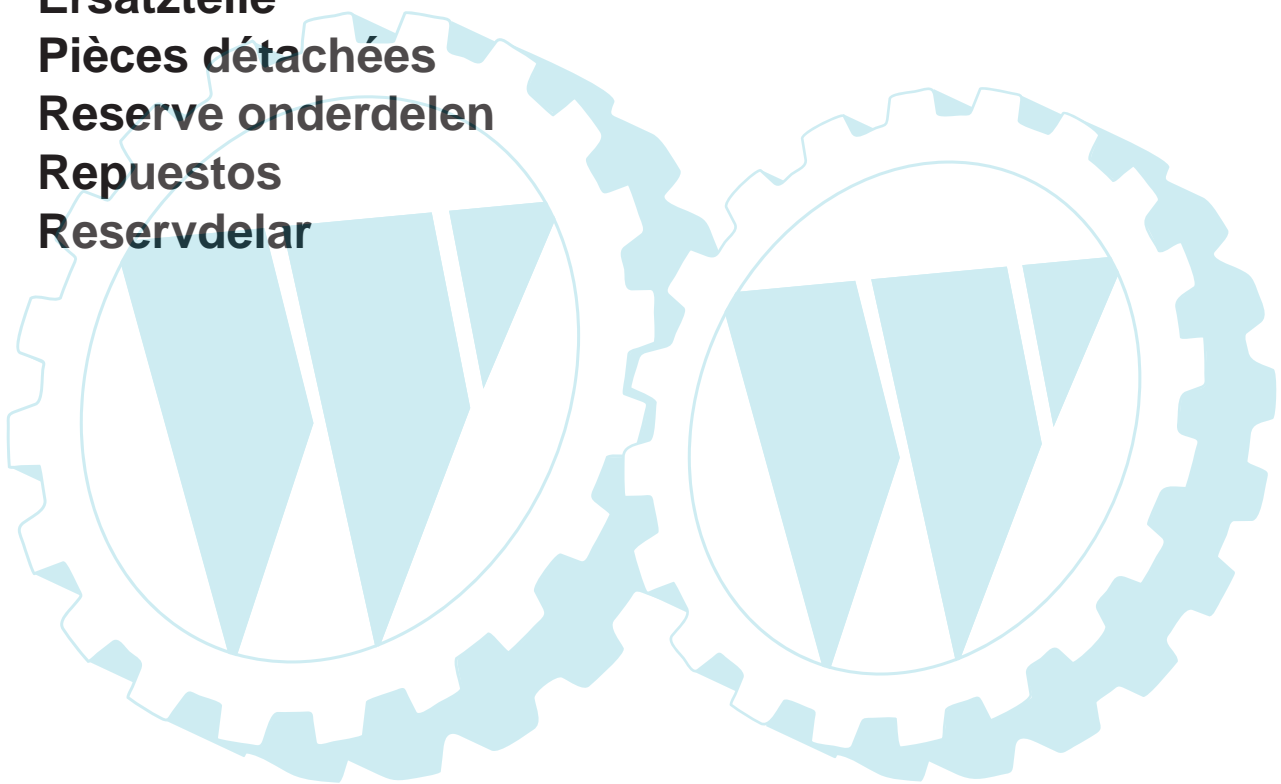
**Ersatzteile**

**Pièces détachées**

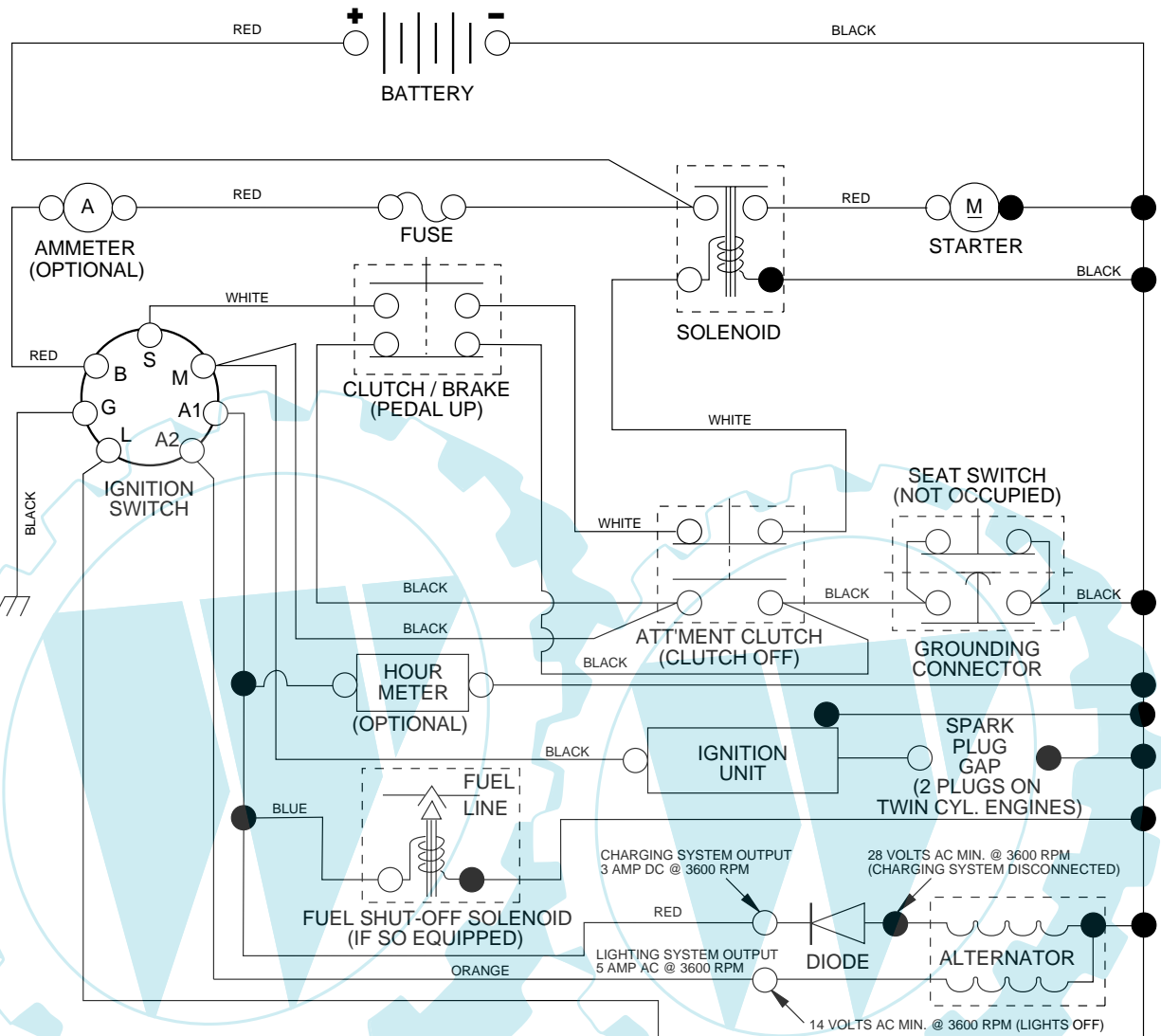
**Reserve onderdelen**

**Repuestos**

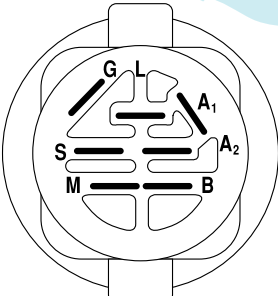
**Reservdelar**



**TRACTOR - MODEL NO. LT2114A (J2114AA), PRODUCT NO. 954 13 00-88**  
**SCHEMATIC**



**NOTE**  
 YOUR TRACTOR IS EQUIPPED WITH A SPECIAL ALTERNATOR SYSTEM. THE LIGHTS ARE NOT CONNECTED TO THE BATTERY, BUT HAVE THEIR OWN ELECTRICAL SOURCE. BECAUSE OF THIS, THE BRIGHTNESS OF THE LIGHTS WILL CHANGE WITH ENGINE SPEED. AT IDLE THE LIGHTS WILL DIM. AS THE ENGINE IS SPEEDED UP, THE LIGHTS WILL BECOME THEIR BRIGHTEST.

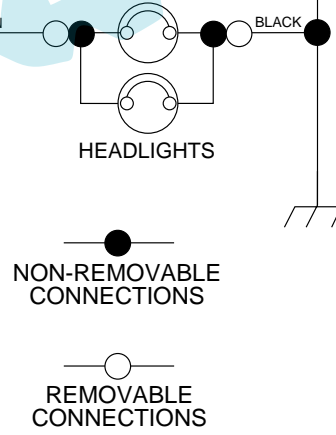


**IGNITION SWITCH**

POSITION	CIRCUIT	"MAKE"
OFF	M+G+A1	NONE
RUN/LIGHT	B+A1	A2+L
RUN	B+A1	NONE
START	B + S + A1	NONE

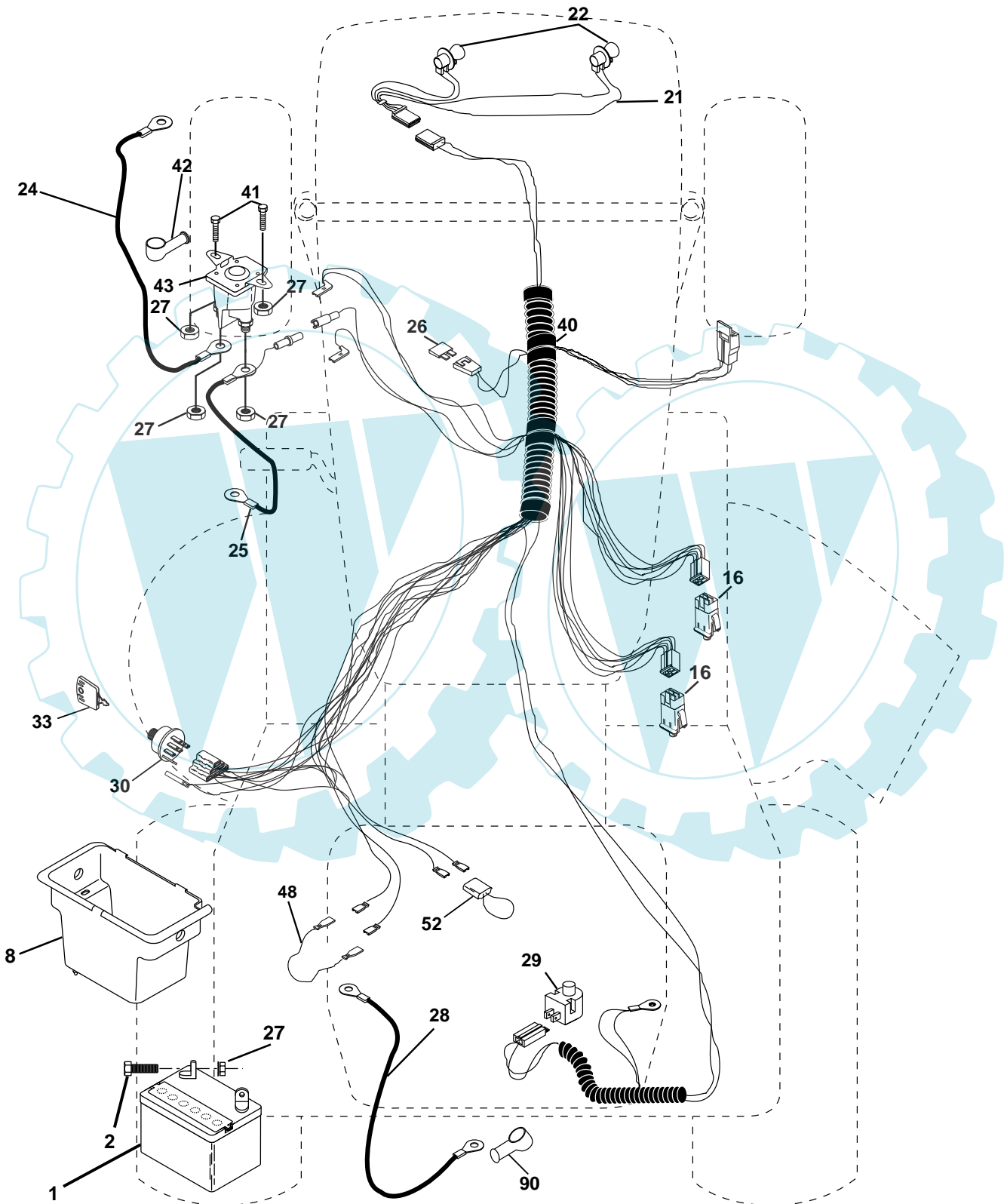
**WIRING INSULATED CLIPS**

**NOTE:** IF WIRING INSULATED CLIPS WERE REMOVED FOR SERVICING OF UNIT, THEY SHOULD BE REPLACED TO PROPERLY SECURE YOUR WIRING.



# REPAIR PARTS

TRACTOR - MODEL NO. LT2114A (J2114AA), PRODUCT NO. 954 13 00-88  
ELECTRICAL



## REPAIR PARTS

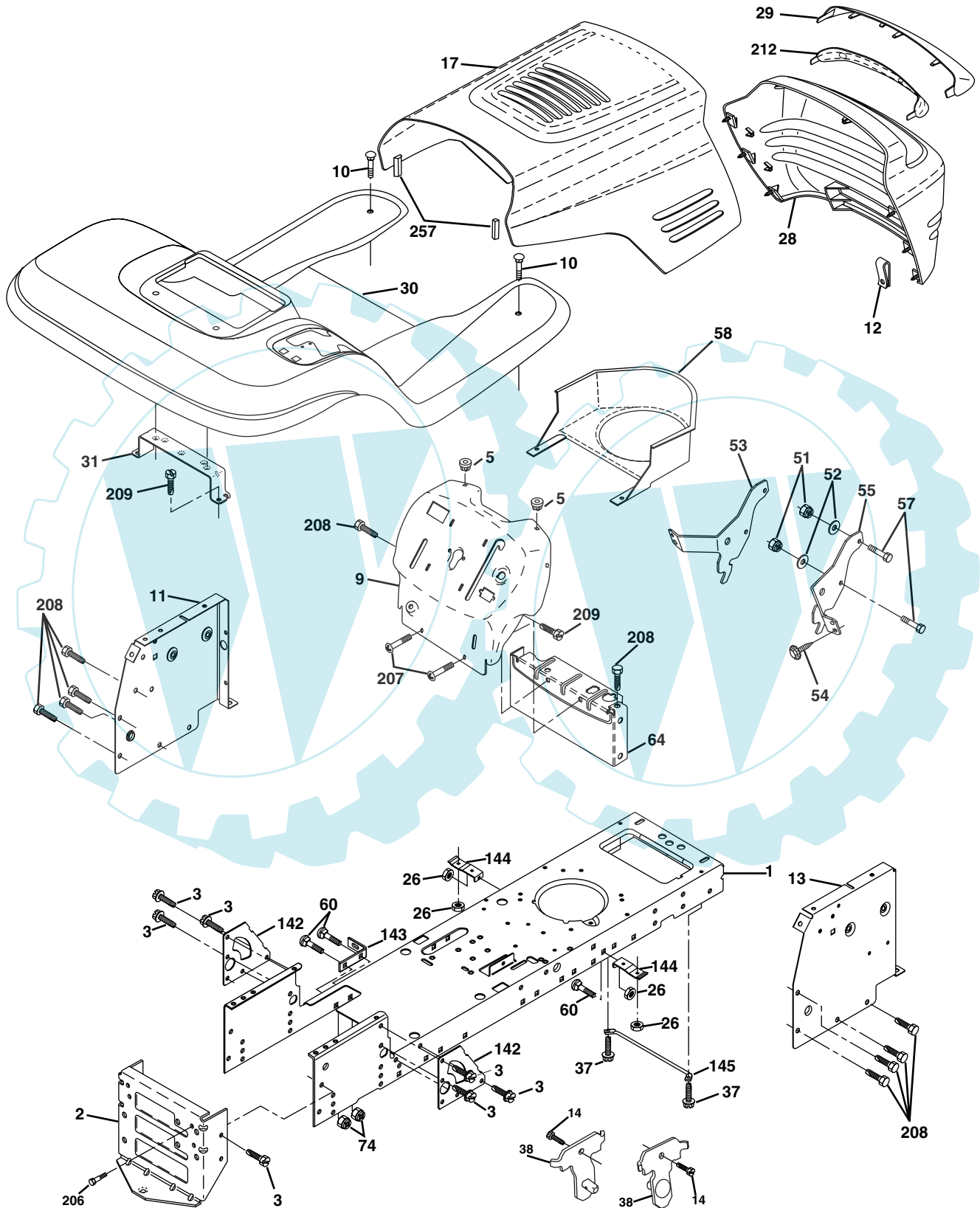
TRACTOR - MODEL NO. LT2114A (J2114AA), PRODUCT NO. 954 13 00-88  
ELECTRICAL

KEY NO.	PART NO.	DESCRIPTION
1	532 16 34-65	Battery 12 Volt 28 AMP
2	874 76 04-12	Bolt Hex Hd 1/4-20unc X 3/4
8	532 17 66-89	Battery Box
16	532 17 61-38	Switch Interlock Push-In
21	532 17 56-88	Harness Asm Light W/4152j
22	532 00 41-52	Bulb Light #1156
24	532 12 47-80	Cable Battery 6 Ga 11" red
25	532 14 61-47	Cable Battery 6 Ga 44" red w/16 wire
26	532 17 51-58	Fuse 20 AMP
27	873 51 04-00	Nut Keps Hex 1/4-20 Unc
28	532 12 47-73	Cable Ground 6 Ga 12" black
29	532 12 13-05	Switch Plunger Nc Gray
30	532 17 55-66	Switch Ign
33	532 14 04-01	Key Ign
40	532 17 97-20	Harness Ign.
41	871 11 04-08	Bolt Blk Fin Hex 1/4 - 20 x 1/2
42	532 13 15-63	Cover Terminal Red
43	532 17 88-61	Solenoid
48	532 14 08-44	Adapter Ammeter
52	532 14 19-40	Protection Wire Loop
89	532 18 04-49	Cover Terminal

**NOTE:** All component dimensions given in U.S. inches.  
1 inch = 25.4 mm.

# REPAIR PARTS

TRACTOR - MODEL NO. LT2114A (J2114AA), PRODUCT NO. 954 13 00-88  
CHASSIS AND ENCLOSURES



## REPAIR PARTS

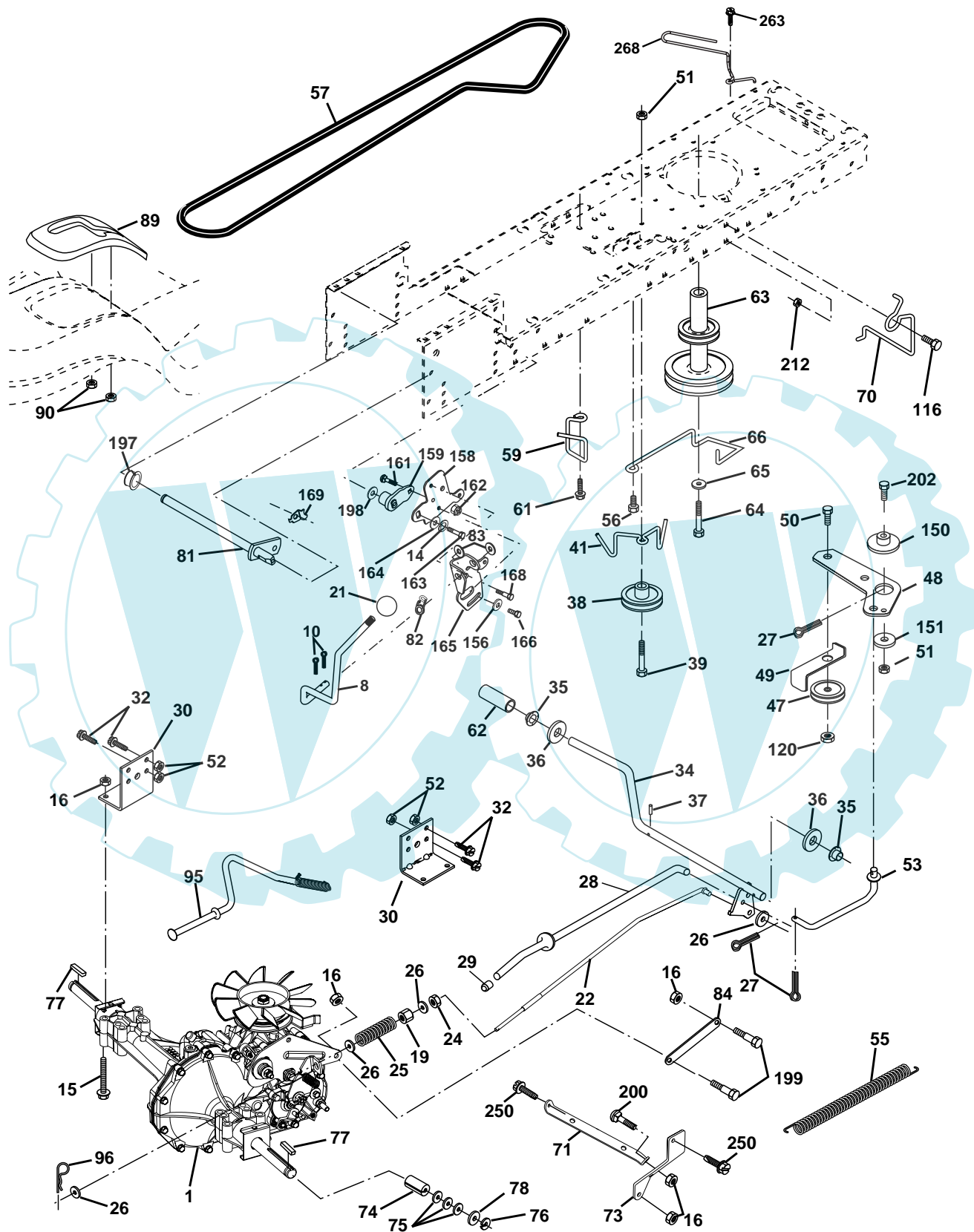
TRACTOR - MODEL NO. LT2114A (J2114AA), PRODUCT NO. 954 13 00-88  
CHASSIS AND ENCLOSURES

KEY NO.	PART NO.	DESCRIPTION
1	532 17 46-19	Chassis Weldment
2	532 17 65-54	Drawbar
3	817 06 06-12	Screw 3/8-16 x 3/4
5	532 15 52-72	Bumper Hood/Dash
9	532 18 52-74	Dash P/L
10	872 14 06-08	Bolt Carriage 3/8-16 x 1
11	532 17 49-96	Panel Dash Lh
12	532 14 56-60	Clip Tinnerman Grille P/L
13	532 18 17-19	Panel Dash Rh
14	817 49 06-08	Screw Thdrol 3/8-16 x 1/2
17	532 15 07-60	Hood LT/PL with Louvers
26	873 80 06-00	Nut Lock Hex W/Ins 3/8-16 Unc
28	532 17 93-51	Grill/Lens Asm.
29	532 17 90-14	Lens LT/PL Grille Shark Plain
30	532 18 12-05	Fender Footrest
31	532 13 99-76	Bracket Support Fender
37	817 49 05-08	Screw Thdrol 6/16-18 x 1/2 TYT
38	532 17 57-10	Bracket, Asm. Pivot
51	873 80 04-00	Nut Lock Hex W/Ins 1/4-20
52	819 09 14-16	Washer 9/32 x 7/8 x 16 Ga.
53	532 14 52-01	Bracket Pnt. Pickoff LH
54	532 16 14-64	Screw Hex Wshd 8-18 x 7/8
55	532 14 52-02	Bracket Grille Pickoff RH
57	874 78 04-12	Bolt Hex 1/4-20 x 3/4
60	872 14 06-06	Bolt Rdhd Sqnk 3/8-16unc x 3/4
64	532 15 47-98	Dash Lower STLT
74	873 68 06-00	Nut Crownlock 3/8-16 UNC
142	532 17 57-02	Plate Reinforcement STLT
143	532 15 49-66	Bracket Swaybar Chassis
144	532 17 55-82	Bracket Pnt Footrest STLT
145	532 15 65-24	Rod Pivot Chassis/Hood
206	532 17 01-65	Bolt Shoulder 5/16-18
207	817 67 05-08	Screw Thdrol 5/16-18 x 1/2
208	817 67 06-08	Screw Thdrol 3/8-16 x 1/2
212	532 16 59-19	Insert Lens Reflective
257	532 12 69-38	Bumper Hood
--	532 00 54-79	Plug Button

**NOTE:** All component dimensions given in U.S. inches  
1 inch = 25.4 mm

# REPAIR PARTS

TRACTOR - MODEL NO. LT2114A (J2114AA), PRODUCT NO. 954 13 00-88  
DRIVE



# REPAIR PARTS

## TRACTOR - MODEL NO. LT2114A (J2114AA), PRODUCT NO. 954 13 00-88 DRIVE

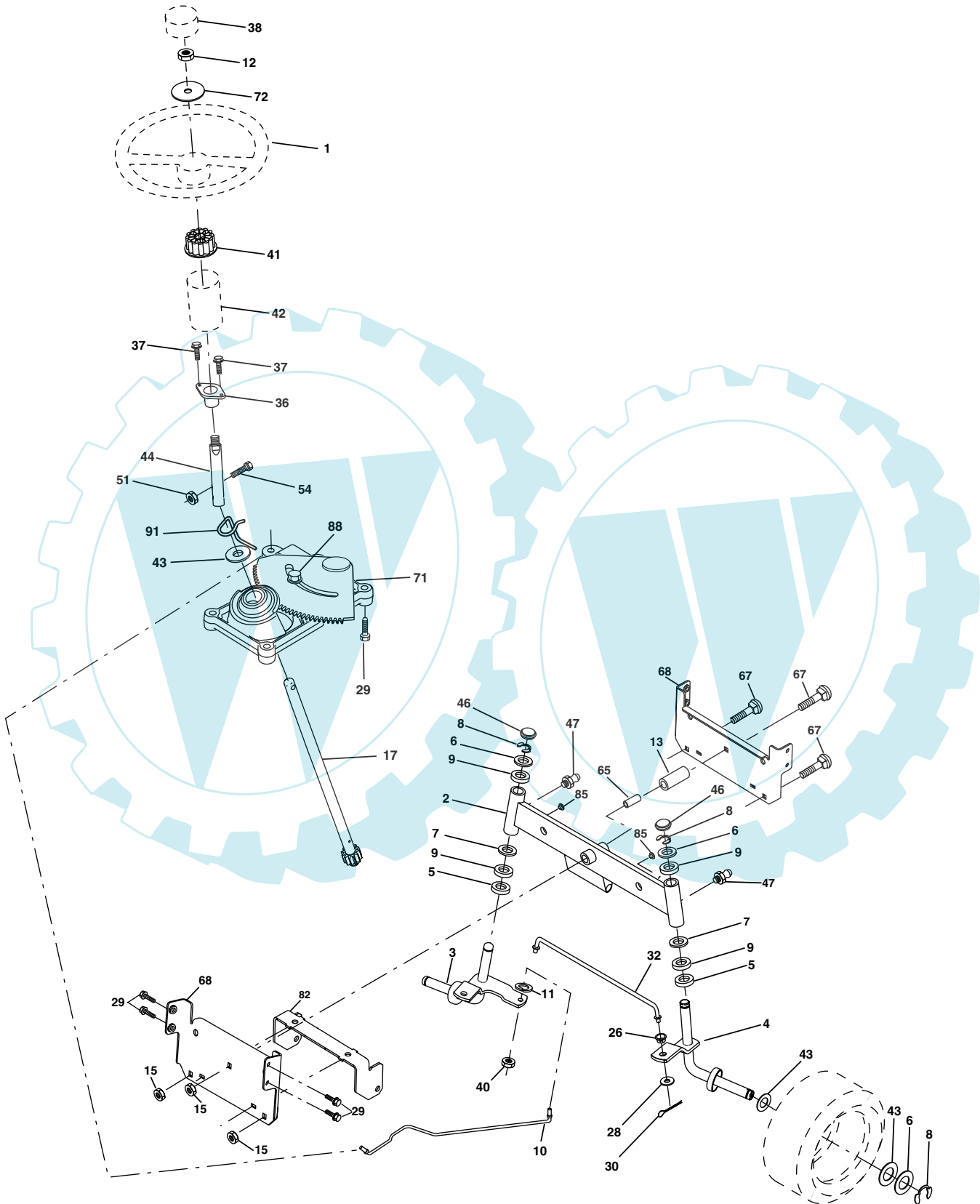
KEY NO.	PART NO.	DESCRIPTION	KEY NO.	PART NO.	DESCRIPTION
1	-----	Transaxle Hydro Gr 322-0510 (Order parts from transaxle manufacturer)	74	532 13 70-57	Spacer, Axle
8	532 16 58-66	Rod Shift Fender STLT	75	532 12 17-49	Washer 25/32 x 1-1/4 x 16 Gauge
10	876 02 04-16	Pin Cotter 1/8 x 1 CAD	76	812 00 00-01	E-Ring
14	810 04 04-00	Washer Lock Hvy Helical 1/4	77	532 12 35-83	Key, Square
15	874 49 05-44	Bolt Hex Flg Hd 5/16-18 X Gr.5	78	532 12 17-48	Washer 25/32 x 1-5/8 x 16 Gauge
16	873 80 05-00	Nut Lock Hex W/Ins. 5/16-18 Unc P	81	532 16 55-96	Shaft Asm. Cross Hydro
19	873 80 06-00	Nut Lock Hex W/Wsh 3/8-16 Unc	82	532 16 57-11	Spring Torsion T/A
21	532 12 12-74	Knob, Duckhead	83	819 17 12-16	Washer 17/32 x 3/4 x 16 Ga.
22	532 16 94-98	Rod, Brake Hydro	84	532 16 98-43	Link Transaxle
24	873 35 06-00	Nut	89	532 16 66-02	Console, Shift
25	532 10 68-88	Spring, Brake Rod	90	532 12 43-46	Nut Self-Thd wsh-Hd 1/4 Zinc
26	819 13 13-16	Washer	95	532 17 02-01	Control Asm Bypass Hydro
27	876 02 04-12	Pin Cotter 1/8 x 3/4 CAD.	96	532 12 47-88	Retainer Spring 1" Zinc/Cad
28	532 17 57-65	Rod, Parking Brake	103	873 94 08-00	Nut Hex Jam Toplock 1/2-20
29	532 07 16-73	Cap, Parking Brake	116	872 14 06-08	Bolt 3/8-16 x 1.0
30	532 17 49-73	Bracket, Transaxle	120	873 90 06-00	Nut Flg Lock 3/8-16 Unc
32	874 76 05-12	Bolt Hex Hd 5/16-18 Unc x 3/4	150	532 17 54-56	Bushing
34	532 17 55-78	Shaft, Foot Pedal	151	819 13 32-10	Washer 13/32 x 2 x 10 Ga.
35	532 12 01-83	Bearing, Nylon	156	532 16 60-02	Washer Srrtd 5/16 ID x1.0 x .125 Tk
36	819 21 16-16	Washer	158	532 16 55-89	Bracket Shift Mount
37	532 12 49-63	Pin, Roll	159	532 16 54-94	Hub Tapered Flange Shift LT
38	532 17 91-14	Pulley, Idler, Composite	161	872 14 04-06	Bolt Rdhd Sqnk 1/4-20 x 3/4 Gr. 5
39	874 76 06-48	Bolt Fin Hex 3/8-16 Unc x 3	162	873 68 04-00	Nut Crownlock 1/4-20 Unc
41	532 17 55-56	Keeper, Belt Idler	163	874 78 04-16	Bolt Hex Fin 1/4-20 unc x 1 Gr. 5
47	532 12 77-83	Pulley, Idler, V-Groove	164	819 09 10-10	Washer 5/8 x .281 x 10 Ga
48	532 15 44-07	Bellcrank Clutch Grnd Drv Stl	165	532 16 56-23	Bracket Pivot Lever
49	532 12 32-05	Retainer, Belt	166	532 16 68-80	Screw 5/16-18 x 5/8 TT Yellow
50	872 11 06-12	Bolt Hex 3/8-16 Unc x 1-1/2	168	532 16 54-92	Bolt Shoulder 5/16-18 x .561 TT
51	873 68 06-00	Nut Crownlock 3/8-16	169	532 16 55-80	Plate Fastening Cross Shf. STLT/ CRD
52	873 68 05-00	Nut Crownlock 5/16-18	197	532 16 96-13	Nyliner Snap-In 5/8" ID
53	532 10 57-10	Link, Clutch	198	532 16 95-93	Washer Nyl 7/8 ID x .105 HYD CRD
55	532 10 57-09	Spring, Return, Clutch	199	532 16 96-12	Bolt Shoulder 5/16-18 Unc
56	817 06 06-20	Bolt Fin Hex 3/8-16 UNC x 1-1/4	200	872 14 05-08	Bolt Rdhd Sqnk 5/16-18 Unc x 1
57	532 14 02-94	V-Belt, Ground Drive	202	872 11 06-14	Bolt Carr Sh 3/8-16 x 1-1/2 Gr. 5
59	532 16 96-91	Keeper, Center Span	205	819 17 16-16	Washer 17/32 x 1 x 16
61	817 12 06-14	Screw 3/8-16 x .875	212	532 14 52-12	Nut Hex Flg Lock
62	532 12 48-72	Cover, Pedal	250	817 06 06-12	Screw 3/8-16 x .75
63	532 18 02-19	Pulley, Eng	263	817 00 06-12	Screw Hex wsh thdrl 3/8-16 x 3/4
64	871 17 07-64	Bolt Hex 7/16-20 x 4 Ga. 5	268	532 18 24-02	Guard Muffler
65	810 04 07-00	Washer			
66	532 15 47-78	Keeper Belt Engine			
70	532 18 02-18	Guide Belt Mower Drive RH			
71	532 16 91-83	Strap Torque Lh Hydro			
73	532 16 91-82	Strap Torque Rh Hydro			

**NOTE:** All component dimensions given in U.S. inches  
1 inch = 25.4 mm



# REPAIR PARTS

TRACTOR - MODEL NO. LT2114A (J2114AA), PRODUCT NO. 954 13 00-88  
STEERING ASSEMBLY



## REPAIR PARTS

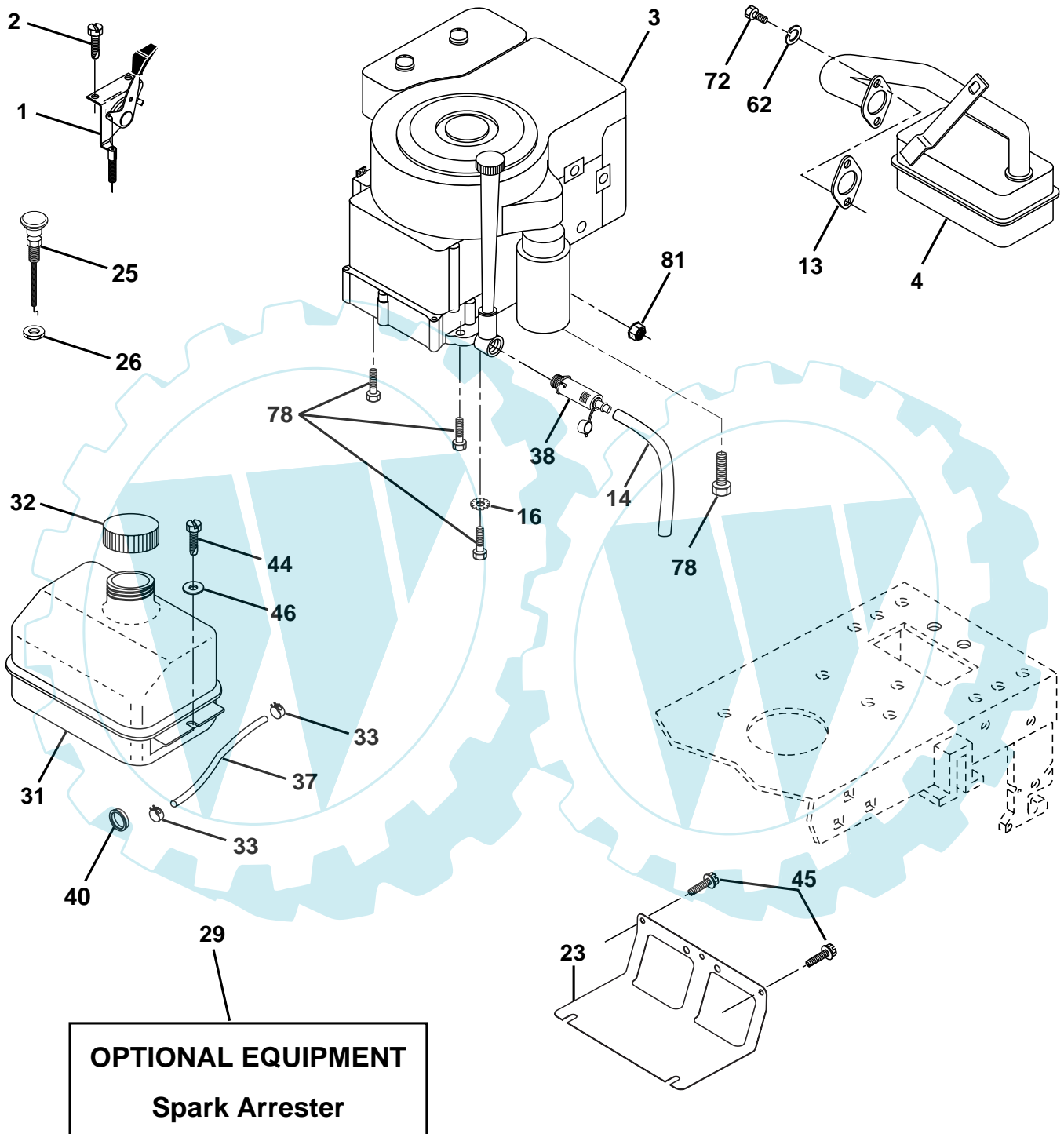
TRACTOR - MODEL NO. LT2114A (J2114AA), PRODUCT NO. 954 13 00-88  
STEERING ASSEMBLY

KEY NO.	PART NO.	DESCRIPTION
1	532 17 20-92	Wheel Steering
2	532 17 51-31	Axle Asm STMP Dropped STL
3	532 16 98-40	Spindle Asm LH
4	532 16 98-39	Spindle Asm RH
5	532 12 49-31	Bearing Race Thrust Harden
6	532 12 17-48	Washer 25/32 X 1-5/8 X 16 Ga
7	819 27 20-16	Washer 27/32 X 1-1/4 X 16 Ga
8	812 00 00-29	Ring Klip #t5304-75
9	532 12 49-37	Bearing Col Strg Blk
10	532 17 51-21	Link Drag
11	810 04 06-00	Washer Lock Hvy Hlcl Spr 3/8
12	873 94 08-00	Nut Hex Jam Toplock 1/2-20 Unf
13	532 13 65-18	Bearing Axle STLT/GT
15	532 14 52-12	Nut Hex flange Lock
17	532 18 06-41	Shaft Asm Strg
26	532 12 68-47	Bushing Link Drag Blk LR
28	819 13 14-16	Washer 13/32 X 7/8 X 16 Ga
29	817 06 06-12	Screw 3/8-16x3/4 SMGML
30	876 02 04-12	Pin Cotter 1/8 X 3/4 Cad
32	532 13 04-65	Rod Tie Wire Form 19 75 Mech
36	532 15 50-99	Bushing Strg
37	532 15 29-27	Screw
38	532 17 20-93	Insert Cap Strg Wh
39	819 13 24-11	Washer 13/32 X 1-1/20 x 11
40	532 12 47-01	Lock nut
41	532 15 99-45	Adaptor Wheel Strg
42	532 16 96-33	Boot Steering Shaft
43	532 12 17-49	Washer 25/32 X 1 1/4 X 16 Ga
44	532 18 06-40	Extension Steering Shaft
46	532 12 12-32	Cap Spindle Fr Top Blk
47	532 18 32-26	Fitting Grease
51	873 54 04-00	Nut Crownlock 1/4-28
54	871 13 04-20	Bolt Hex 1/4-28 Unf x 1-1/4 Gr. 8
63	874 78 06-16	Bolt Fin Hex 3/8-16unc x 1 Gr. 5
65	532 16 03-67	Spacer Axle
67	872 14 06-18	Bolt RDHD SQNK 3/8-16 x 2-1/4
68	532 16 98-27	Axle, Brace
71	532 17 51-46	Steering Asm
72	819 18 24-11	Washer 9/16 x 1/2 11 G.
82	532 16 98-35	Bracket Susp Chassis Front
85	532 13 38-35	Fastner Christmas Tree
88	532 17 51-18	Bolt Shoulder 7/16-20 Unc
91	532 17 55-53	Clip Steering
209	817 00 06-12	Screw hex Wash Thdrol. 3/8-16 x 3/4
257	532 18 49-21	Bumper Hood

**NOTE:** All component dimensions given in U.S. inches.  
1 inch = 25.4 mm.

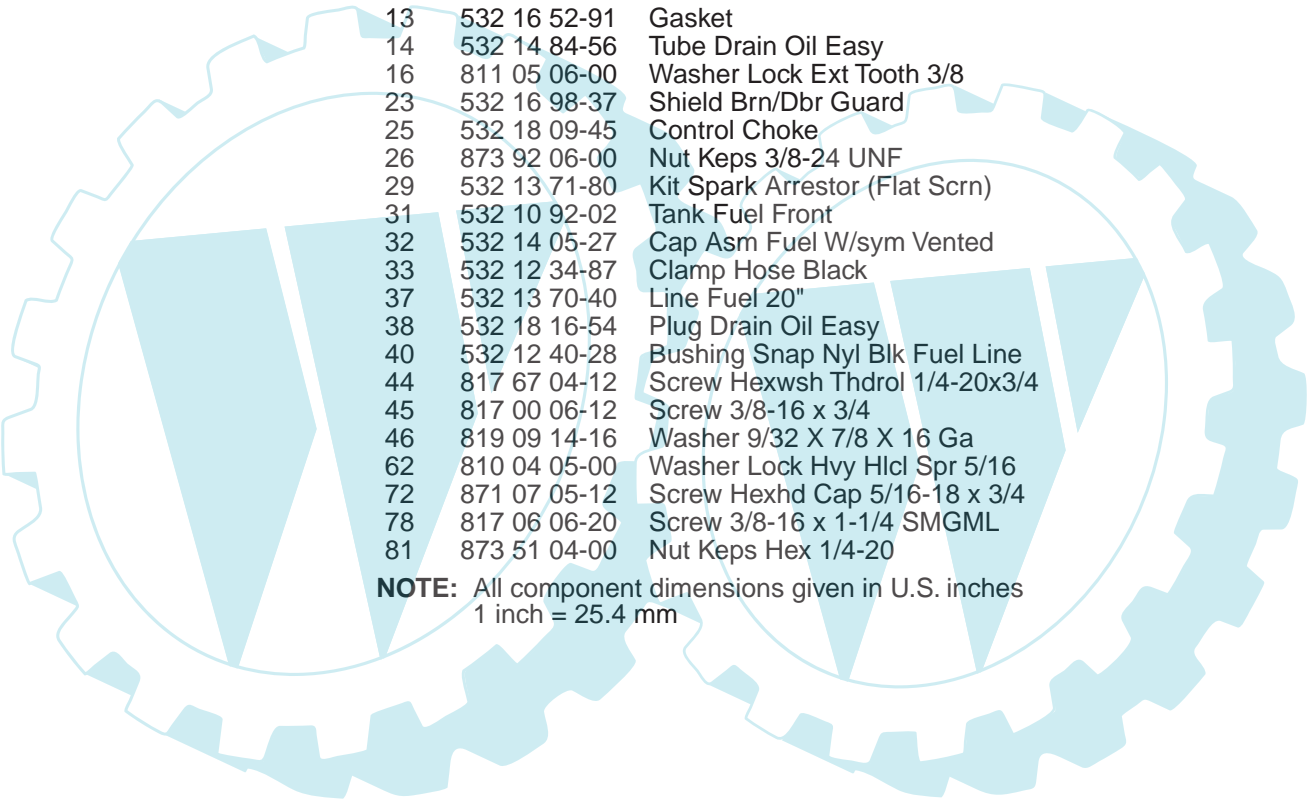
# REPAIR PARTS

TRACTOR - MODEL NO. LT2114A (J2114AA), PRODUCT NO. 954 13 00-88  
ENGINE



## REPAIR PARTS

TRACTOR - MODEL NO. LT2114A (J2114AA), PRODUCT NO. 954 13 00-88  
ENGINE

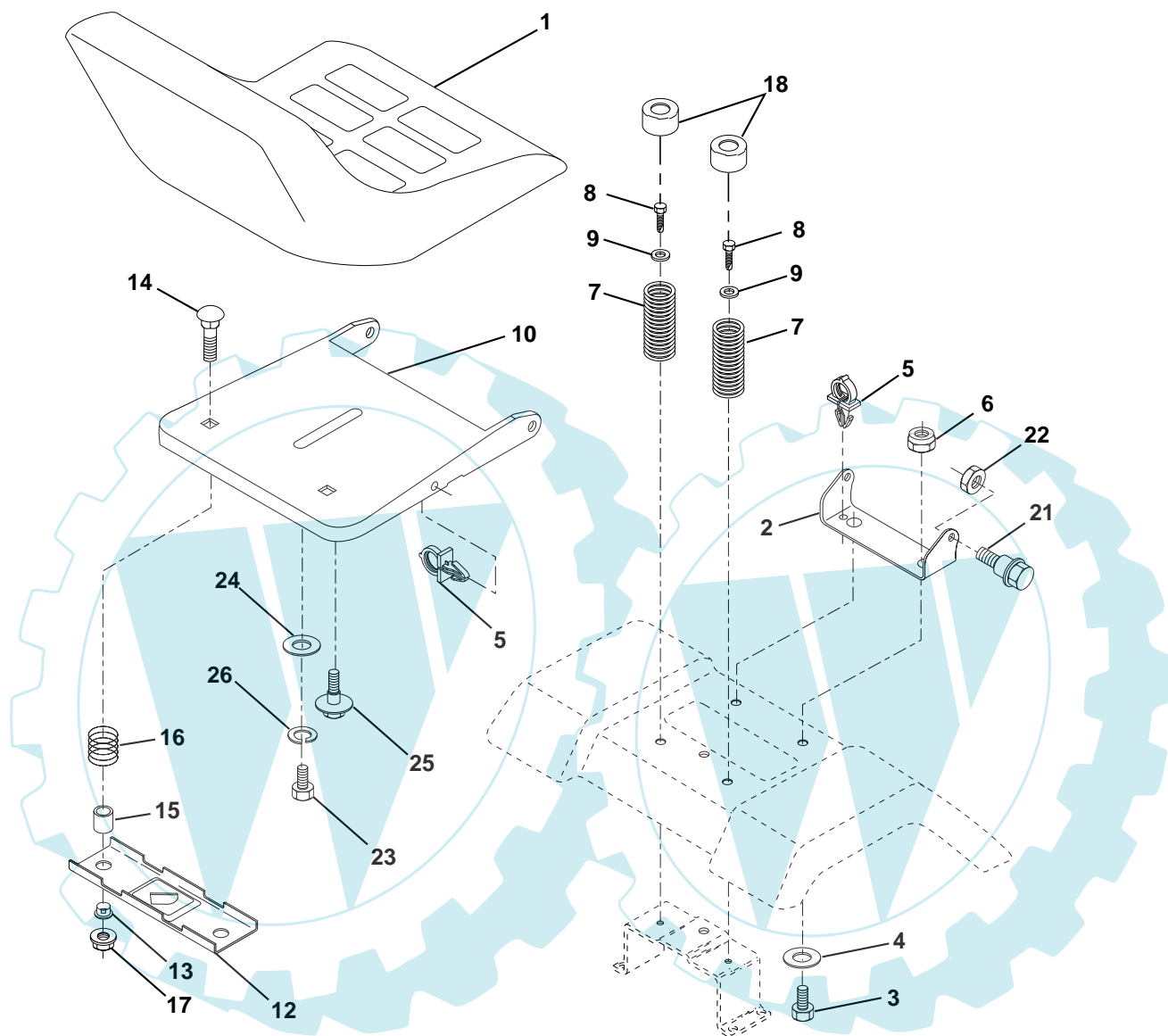


KEY NO.	PART NO.	DESCRIPTION
1	532 17 05-51	Control Th/ch Flag
2	817 72 04-08	Screw Hex Thd Cut 1/4-20 x 1/2
3	-----	Engine B & S Model 31G777 (Order parts from engine manufacturer)
4	532 13 73-52	Muffler
13	532 16 52-91	Gasket
14	532 14 84-56	Tube Drain Oil Easy
16	811 05 06-00	Washer Lock Ext Tooth 3/8
23	532 16 98-37	Shield Brn/Dbr Guard
25	532 18 09-45	Control Choke
26	873 92 06-00	Nut Keps 3/8-24 UNF
29	532 13 71-80	Kit Spark Arrestor (Flat Scrn)
31	532 10 92-02	Tank Fuel Front
32	532 14 05-27	Cap Asm Fuel W/sym Vented
33	532 12 34-87	Clamp Hose Black
37	532 13 70-40	Line Fuel 20"
38	532 18 16-54	Plug Drain Oil Easy
40	532 12 40-28	Bushing Snap Nyl Blk Fuel Line
44	817 67 04-12	Screw Hexwsh Thdrol 1/4-20x3/4
45	817 00 06-12	Screw 3/8-16 x 3/4
46	819 09 14-16	Washer 9/32 X 7/8 X 16 Ga
62	810 04 05-00	Washer Lock Hvy Hlcl Spr 5/16
72	871 07 05-12	Screw Hexhd Cap 5/16-18 x 3/4
78	817 06 06-20	Screw 3/8-16 x 1-1/4 SMGML
81	873 51 04-00	Nut Keps Hex 1/4-20

**NOTE:** All component dimensions given in U.S. inches  
1 inch = 25.4 mm

# REPAIR PARTS

TRACTOR - MODEL NO. LT2114A (J2114AA), PRODUCT NO. 954 13 00-88  
SEAT ASSEMBLY



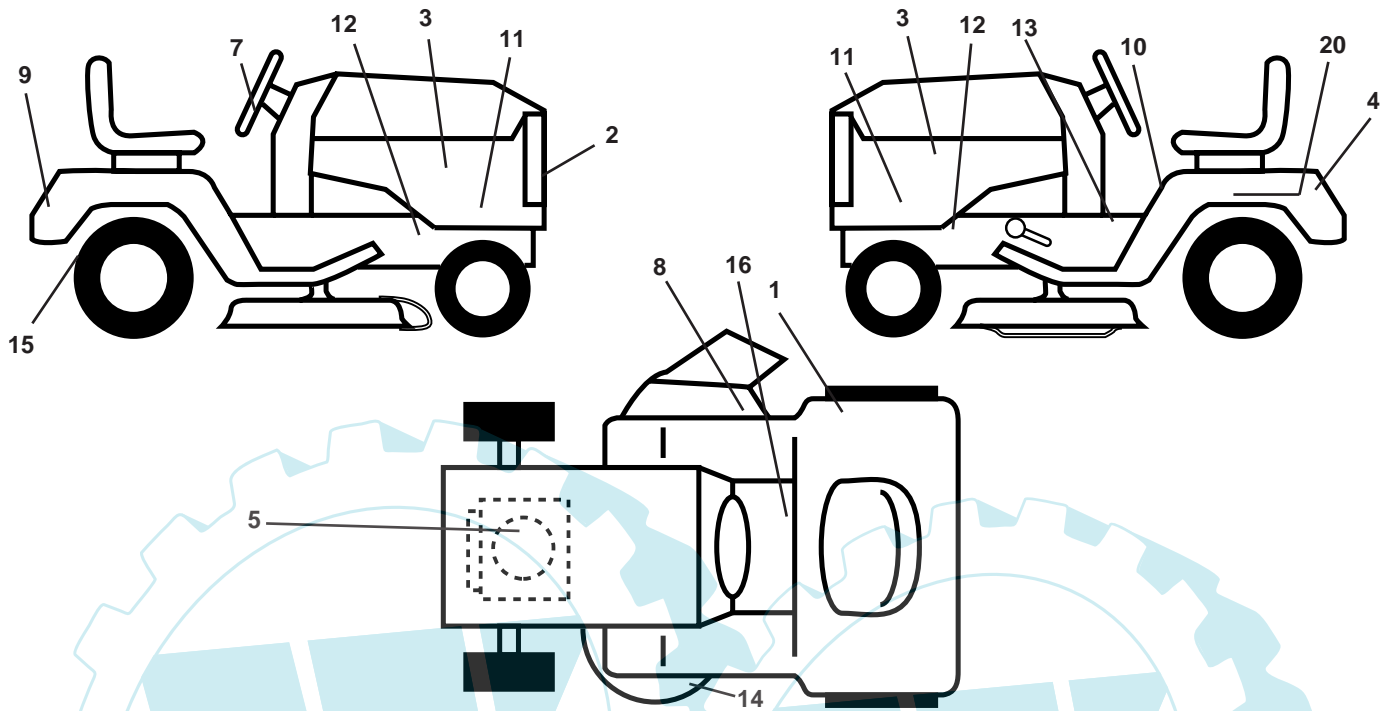
KEY NO.	PART NO.	DESCRIPTION
1	532 14 01-17	Seat
2	532 14 05-51	Bracket Pivot Seat 8 720
3	871 11 06-16	Bolt Fin Hex 3/8-16 Unc x 1
4	819 13 16-10	Washer 13/32 X 1 X 10 Ga
5	532 14 50-06	Clip Push-In
6	873 80 06-00	Nut Hex w/Ins. 3/8-16 Unc
7	532 12 41-81	Spring Seat Cprsn 2 250 Blk Zi
8	817 00 06-16	Screw 3/8-16 x 1.5 SMGML
9	819 13 16-14	Washer 13/32 X 1 X 14 Ga.
10	532 18 24-93	Pan Seat
12	532 12 12-46	Bracket Mounting Switch
13	532 12 12-48	Bushing Snap Blk Nyl 50 Id
14	872 05 04-12	Bolt Rdhd Sqnrk 1/4-20x1-1/2

KEY NO.	PART NO.	DESCRIPTION
15	532 13 43-00	Spacer Split 28x96 Yel Zinc
16	532 12 12-50	Spring Cprsn 1.27 Blk Pnt
17	532 12 39-76	Nut Lock 1/4 Lge Flg Gr 5 Zinc
18	532 12 42-38	Cap Spring Seat
21	532 17 18-52	Bolt SHLD 5/16-18 Unc-2A
22	873 80 05-00	Nut Hex Lock W/Ins 5/16-18
23	871 11 08-14	Bolt Hex
24	819 17 19-12	Washer 17/32 X 1-3/16 X 12 Ga.
25	532 12 70-18	Bolt Shoulder 5/16-18 X 62
26	810 04 08-00	Washer Lock Hvy HLCL Spr. 1/2

**NOTE:** All component dimensions given in U.S. inches.  
1 inch = 25.4 mm

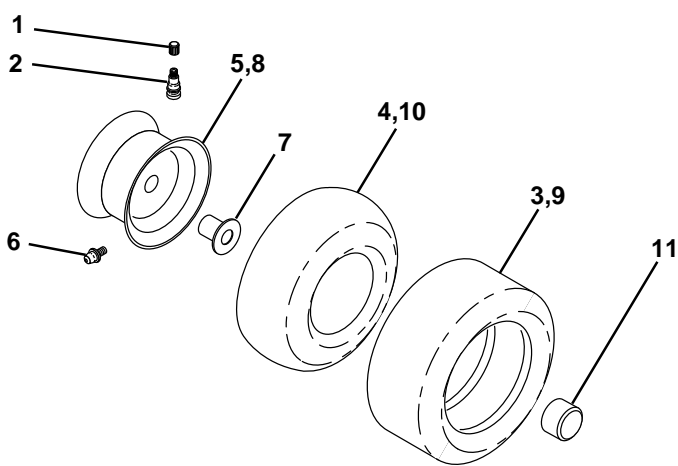
# REPAIR PARTS

TRACTOR - MODEL NO. LT2114A (J2114AA), PRODUCT NO. 954 13 00-88  
DECALS



KEY NO.	PART NO.	DESCRIPTION	KEY NO.	PART NO.	DESCRIPTION
1	532 18 04-32	Decal 100 DB/CE	13	532 15 97-37	Decal Brake/Clutch Symbol LT
2	532 18 51-85	Decal Grille	14	532 13 68-32	Decal V-Belt Schematic
3	532 18 39-29	Decal Hood	15	532 16 25-98	Decal Drawbar Load Limit
4	532 18 40-59	Decal Fender	16	532 14 08-37	Decal Saddle Brake Parking
5	532 18 04-31	Decal HP Engine	20	532 14 50-05	Decal Bat Dan/Psn
7	532 18 39-32	Decal, Ins. Strg Whl.	--	532 17 12-84	Pad Footrest LH STLT
8	532 18 21-66	Decal Mower Cutfinger	--	532 17 12-85	Pad Footrest RH STLT
9	532 18 39-30	Decal Fender Jonsered	--	532 13 83-11	Decal Handle Lift Height Adjust
10	532 14 54-98	Decal Read Owner's Manual Syms.	--	532 16 92-10	Decal By-Pass
11	532 16 29-27	Decal Hood Insert B&S White	--	532 18 41-86	Manual Operator's (Euro.)
12	532 15 97-36	Decal Chassis Hot Muffler	--	532 18 41-87	Manual Operator's (Scan.)

## WHEELS & TIRES

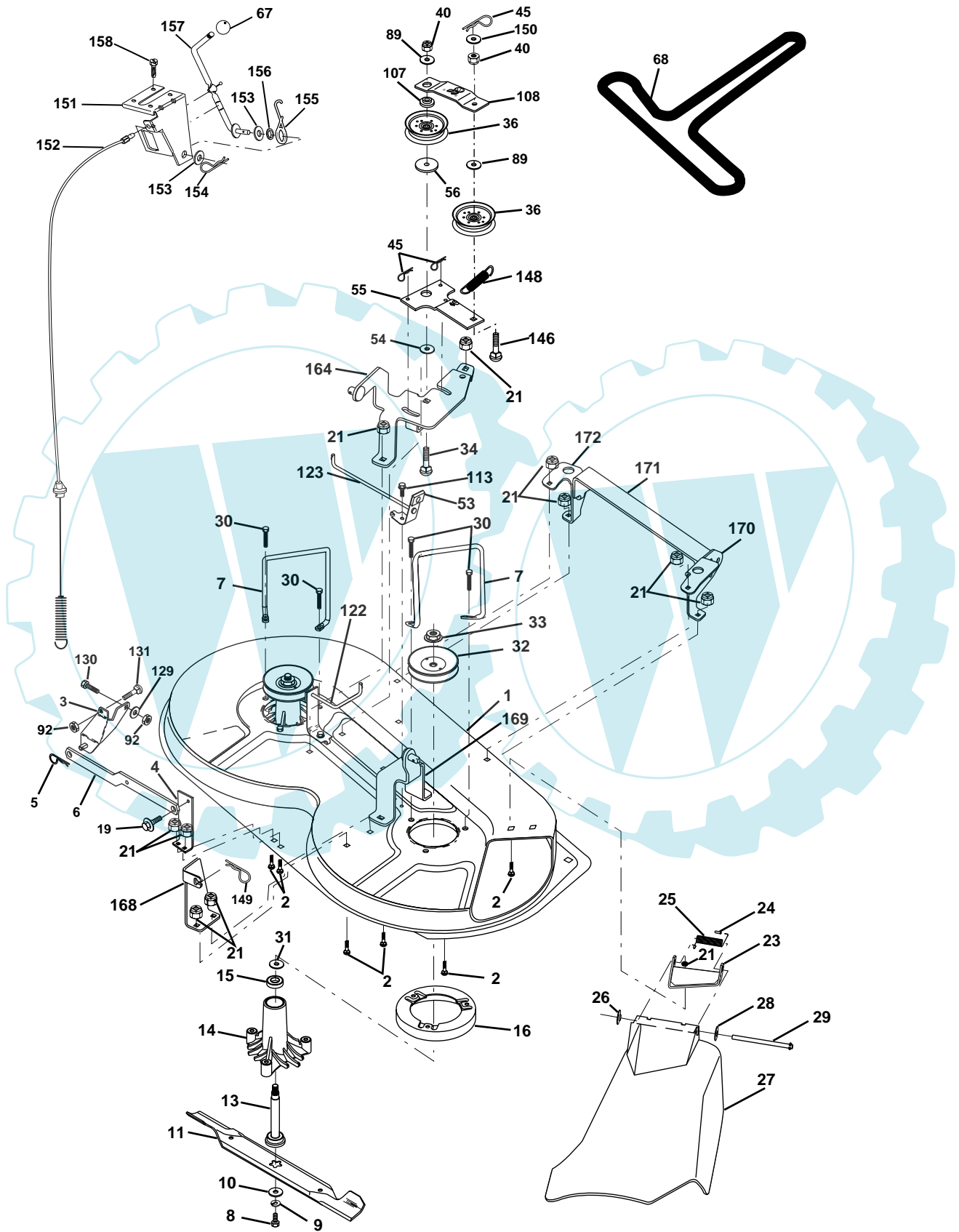


KEY NO.	PART NO.	DESCRIPTION
1	532 05 91-92	Cap Valve Tire
2	532 06 51-39	Stem Valve
3	532 10 62-22	Tire F Ts 15 X 6 0 - 6 Service
4	532 05 99-04	Tube Front (Service Item Only)
5	532 13 83-36	Rim Asm 6"front Silver Service
6	532 12 49-57	Fitting Grease (Front Wheel Only)
7	532 12 49-59	Bearing Flange (Front Wheel Only)
8	532 13 83-37	Rim Asm 8"rear Silver Service
9	532 12 46-35	Tire R Ts 18x9 5-8 C Service
10	532 12 49-26	Tube Rear (Service Item Only)
11	532 17 50-39	Cap Axle Blk 1 50 X 1 00
--	532 14 43-34	Sealant, Tire ( 10 oz. Tube)

**NOTE:** All component dimensions given in U.S. inches  
1 inch = 25.4 mm

# REPAIR PARTS

TRACTOR - MODEL NO. LT2114A (J2114AA), PRODUCT NO. 954 13 00-88  
MOWER DECK



# REPAIR PARTS

**TRACTOR - MODEL NO. LT2114A (J2114AA), PRODUCT NO. 954 13 00-88**  
**MOWER DECK**

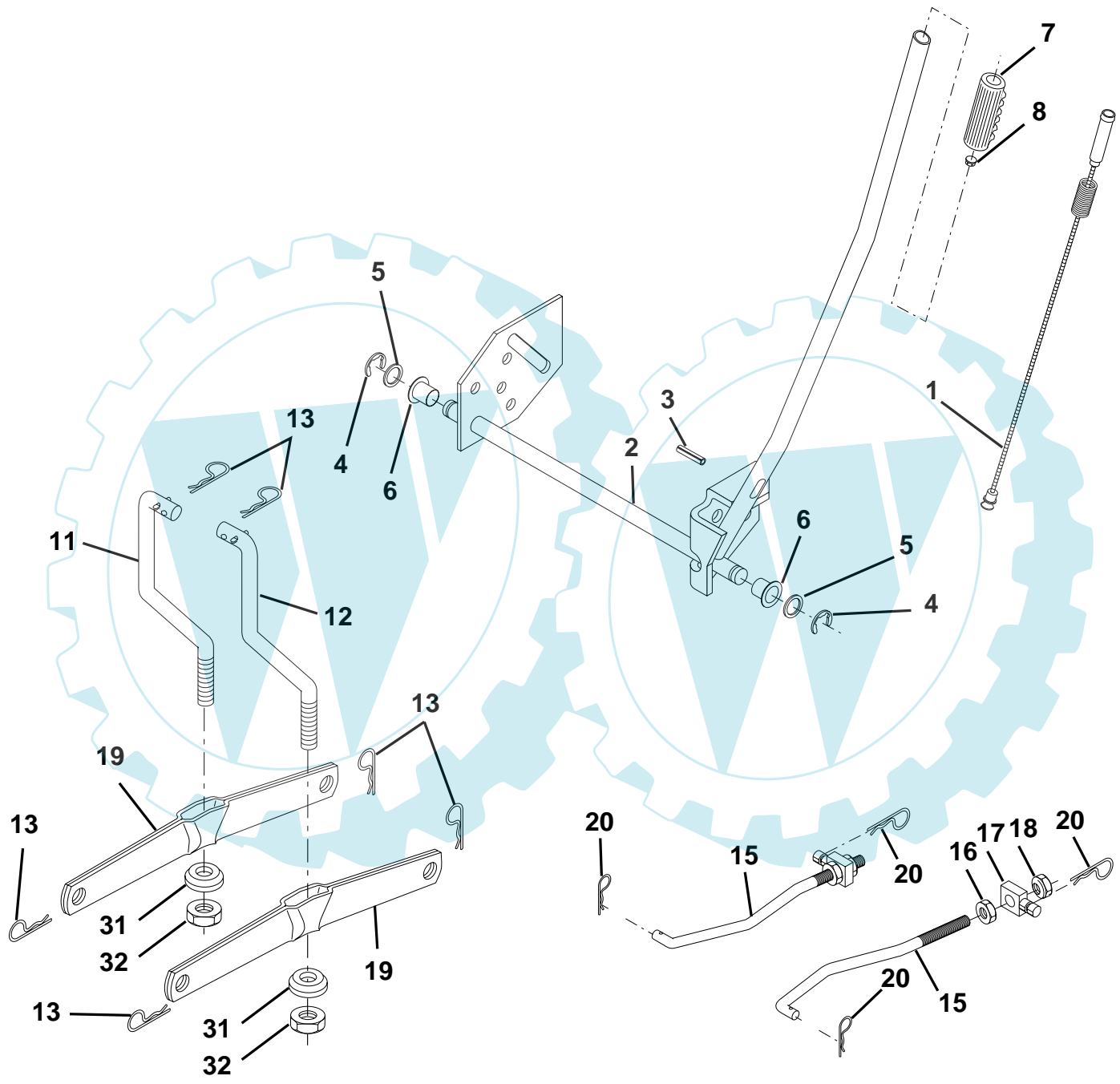
KEY NO.	PART NO.	DESCRIPTION	KEY NO.	PART NO.	DESCRIPTION
1	532 17 45-95	Mower Deck Assembly	68	532 18 02-13	Belt
2	872 14 05-06	Bolt	89	819 13 16-12	Washer 13/32 x 1 x 12 Ga
3	532 13 80-17	Bracket Assembly,Sway Bar	92	873 80 06-00	Nut Lock Hex 3/8-16
4	532 17 56-54	Bracket Sway Bar	107	532 13 35-02	Spacer, Retainer
5	532 12 46-70	Retainer Spring	108	532 13 35-03	Stiffener, Idler Arm
6	532 17 80-24	Bar Sway Deck	113	817 49 05-08	Screw Thdrol 5/16-18 x 1/2
7	532 14 06-08	Keeper Belt	122	532 17 45-05	Rod, Brake, LH
8	532 85 08-57	Bolt, Hex 3/8-24 x 1.25 Gr. 8	123	532 17 45-04	Rod, Brake, RH
9	810 03 06-00	Washer, Lock Hvy Hlcl 3/8	129	819 13 13-12	Washer 13/32 x 13/16 x 12 Ga.
10	532 14 02-96	Washer, Hardened	130	874 78 06-16	Bolt Fin Hex 3/8-16 x 1.0
11	532 13 84-96	Blade, Mower	131	872 14 06-08	Bolt RDHD 3/8-16 x 1
13	532 13 76-45	Shaft Assembly, Mandrel, Vented	146	532 16 58-91	Bolt Carriage Idler
14	532 12 87-74	Housing, Mandrel, Vented	148	532 16 90-22	Spring Return Idler
15	532 11 04-85	Bearing, Ball, Mandrel	149	532 16 58-98	Retainer Spring Yellow Zinc
16	532 17 44-93	Stripper, Mower Deck	150	819 09 12-16	Washer 9/32 x 3/4 x 16 Ga.
19	532 13 28-27	Bolt, Shoulder	151	532 16 96-70	Bracket Clutch
21	873 68 05-00	Nut Crownlock 5/16-18	152	532 17 60-79	Cable Clutch
23	532 13 66-31	Bracket, Mower Deflector	153	532 16 96-74	Washer Flat 3/8" Type B
24	532 10 53-04	Cap, Sleeve	154	532 16 96-75	Spring Retainer
25	532 12 37-13	Spring, Torsion, Deflector	155	532 16 96-71	Spring Retention Lever
26	532 11 04-52	Nut, Push	156	532 16 96-72	Spacer
27	532 17 61-62	Shield, Deflector	157	532 16 96-69	Rod Clutch
28	819 11 10-16	Washer 11/32 x 5/8 x 16 Ga.	158	817 72 04-08	Screw Hex Thd Cut 1/4-20 x 1/2
29	532 12 19-80	Rod, Hinge	164	532 17 49-76	Bracket Asm Idler Support
30	532 17 39-84	Screw Thdrol Hex	168	532 17 23-77	Bracket Deck Cable
31	532 12 99-63	Washer, Spacer	169	532 17 49-77	Bracket Asm Suspension
32	532 15 35-31	Pulley, Mandrel	170	532 17 23-59	Bracket Suspension RF
33	532 17 83-42	Nut, Toplock, Flanged	171	532 16 52-37	Brace Support Susp. Frt
34	872 11 06-14	Bolt Rdhd 3/8-16 x 1-3/4	172	532 17 23-55	Bracket Suspension LF
36	532 13 14-94	Pulley, Idler, Flat	--	532 13 07-94	Mandrel Assembly (Includes Housing, Shaft and Shaft Hardware Only-Pulley Not Included)
40	873 68 06-00	Nut Crownlock 3/8-16	--	532 18 13-76	Replacement Mower, Complete
45	532 12 47-88	Retainer, Spring			
53	532 13 08-40	Brake Assembly			
54	532 17 85-15	Washer, Hardened			
55	532 13 38-40	Idler Arm Assembly			
56	532 16 57-23	Spacer, Retainer			
67	532 10 69-32	Knob RD 3/8-16 Plstc Thd			

**NOTE:** All component dimensions given in U.S. inches  
 1 inch = 25.4 mm



# REPAIR PARTS

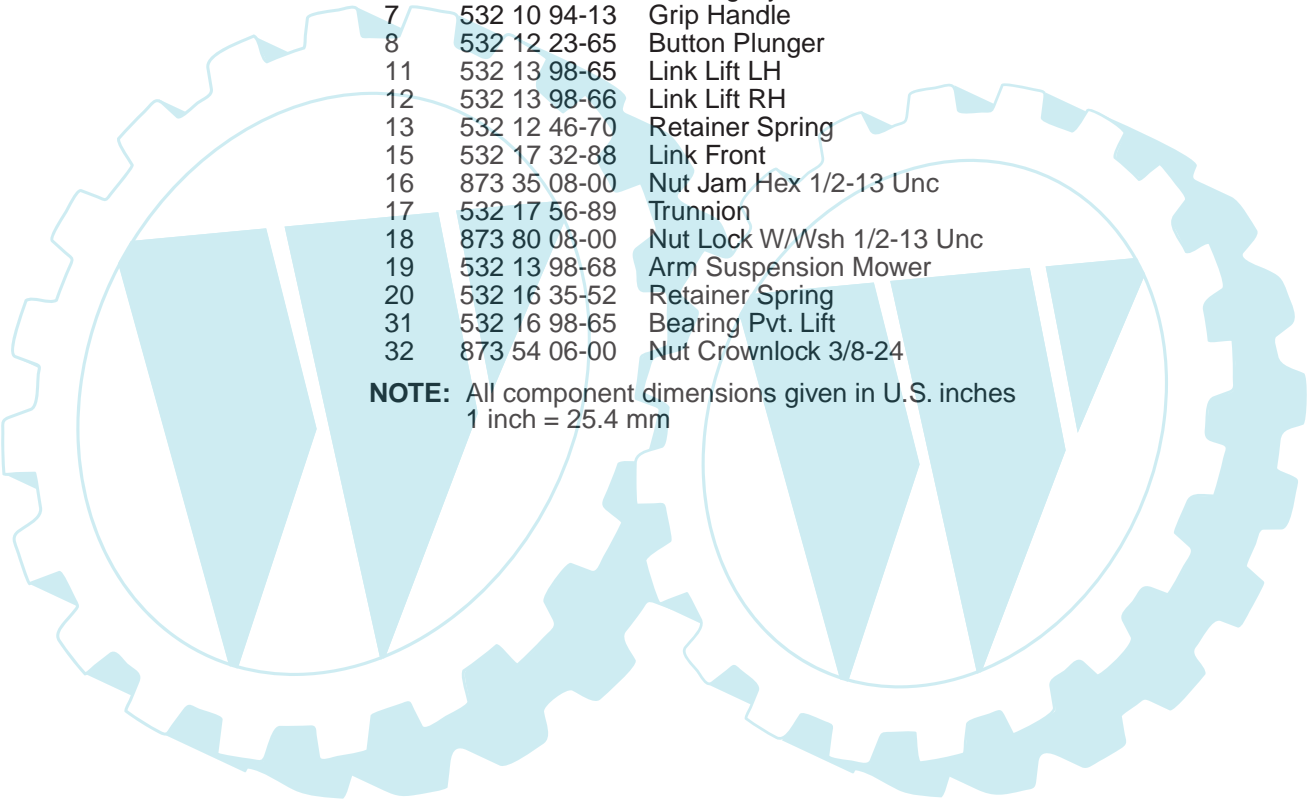
TRACTOR - MODEL NO. LT2114A (J2114AA), PRODUCT NO. 954 13 00-88  
MOWER LIFT



## REPAIR PARTS

TRACTOR - MODEL NO. LT2114A (J2114AA), PRODUCT NO. 954 13 00-88

### MOWER LIFT



KEY NO.	PART NO.	DESCRIPTION
1	532 15 94-60	Washer Asm Inner Spring W/Plunger
2	532 15 94-71	Shaft Asm. Lift
3	532 10 57-67	Pin Groove
4	812 00 00-02	E Ring #5133-62
5	819 21 16-21	Washer 21/32 x 1 x 21 Ga
6	532 12 01-83	Bearing Nylon
7	532 10 94-13	Grip Handle
8	532 12 23-65	Button Plunger
11	532 13 98-65	Link Lift LH
12	532 13 98-66	Link Lift RH
13	532 12 46-70	Retainer Spring
15	532 17 32-88	Link Front
16	873 35 08-00	Nut Jam Hex 1/2-13 Unc
17	532 17 56-89	Trunnion
18	873 80 08-00	Nut Lock W/Wsh 1/2-13 Unc
19	532 13 98-68	Arm Suspension Mower
20	532 16 35-52	Retainer Spring
31	532 16 98-65	Bearing Pvt. Lift
32	873 54 06-00	Nut Crownlock 3/8-24

**NOTE:** All component dimensions given in U.S. inches  
1 inch = 25.4 mm